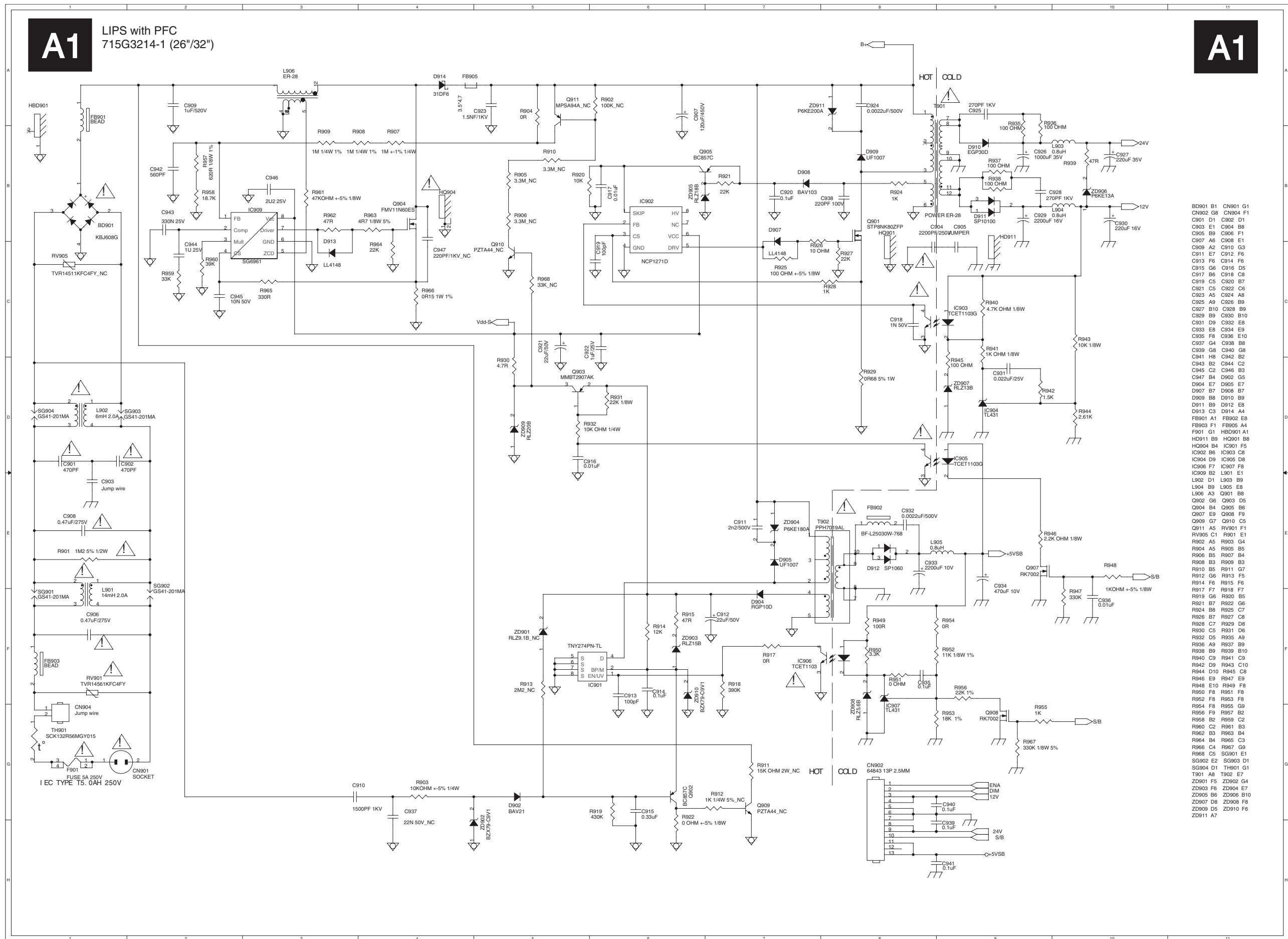


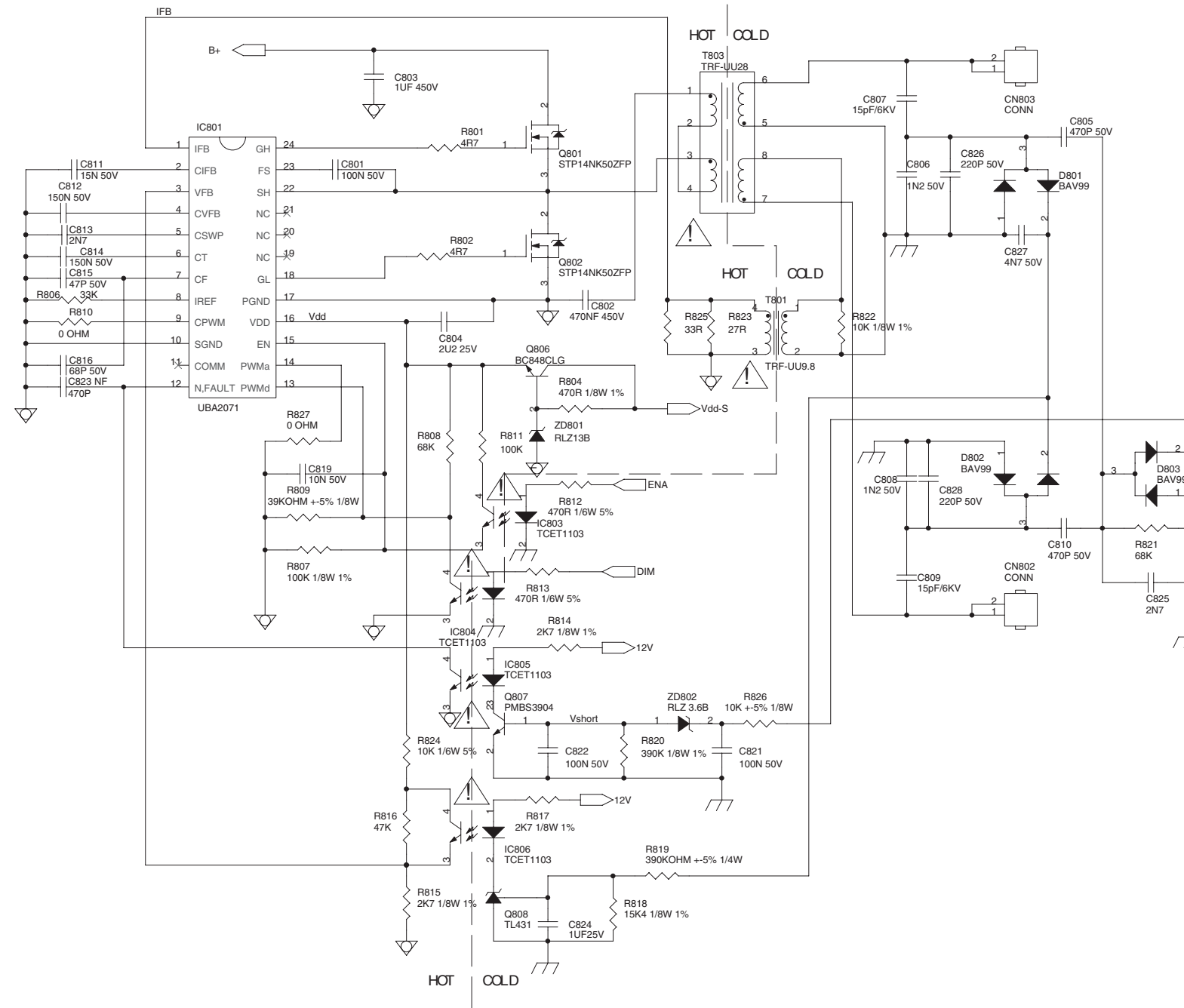
Power board: Adapter, 26"



Power board: Inverter, 26"

A2 Inverter

A2



- CN802 E8
- CN803 B8
- C801 C4
- C802 C6
- C803 B4
- C804 C5
- C805 B8
- C806 C7
- C807 B7
- C808 D7
- C809 E7
- C810 E8
- C811 C3
- C812 C3
- C813 C3
- C814 C3
- C815 C3
- C816 D3
- C819 D4
- C821 F6
- C822 F5
- C823 D3
- C824 G5
- C825 E9
- C826 C8
- C827 C8
- C828 D8
- D801 C8
- D802 D8
- D803 D9
- IC801 C4
- IC803 E5
- IC804 E5
- IC805 E5
- IC806 F5
- Q801 B5
- Q802 C5
- Q806 D5
- Q807 F5
- Q808 G5
- R801 C5
- R802 C5
- R804 D6
- R806 C3
- R807 E4
- R808 D5
- R809 E4
- R810 C3
- R811 D5
- R812 D6
- R813 E5
- R814 E6
- R815 G5
- R816 F5
- R817 F5
- R818 G6
- R819 G6
- R820 F6
- R821 E9
- R822 C7
- R823 C6
- R824 F5
- R825 C6
- R826 F7
- T801 C7
- T803 B6
- ZD801 D5
- ZD802 F6